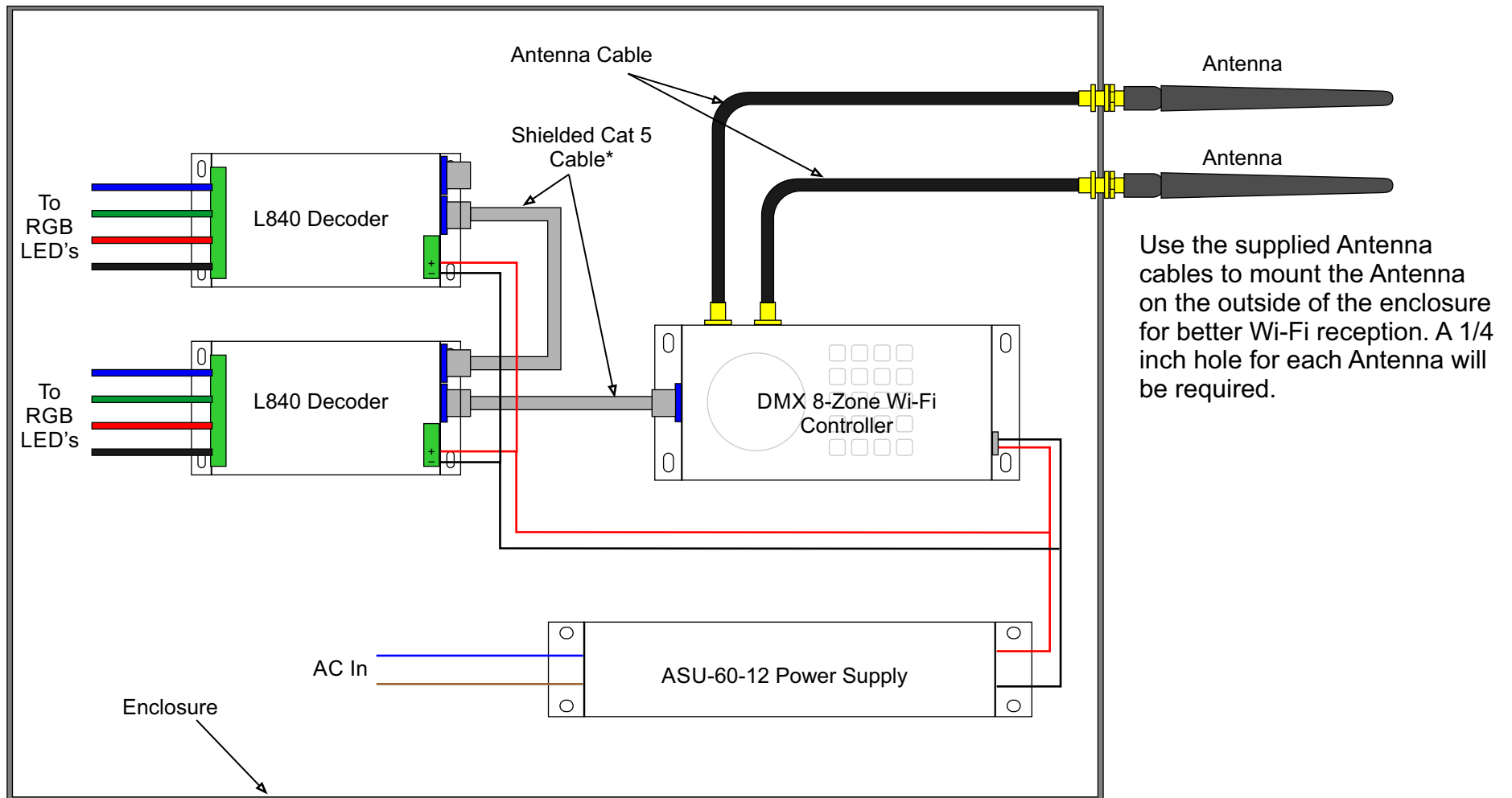


Basic Wi-Fi Controller Setup Using DMX Decoders and RGB LED's

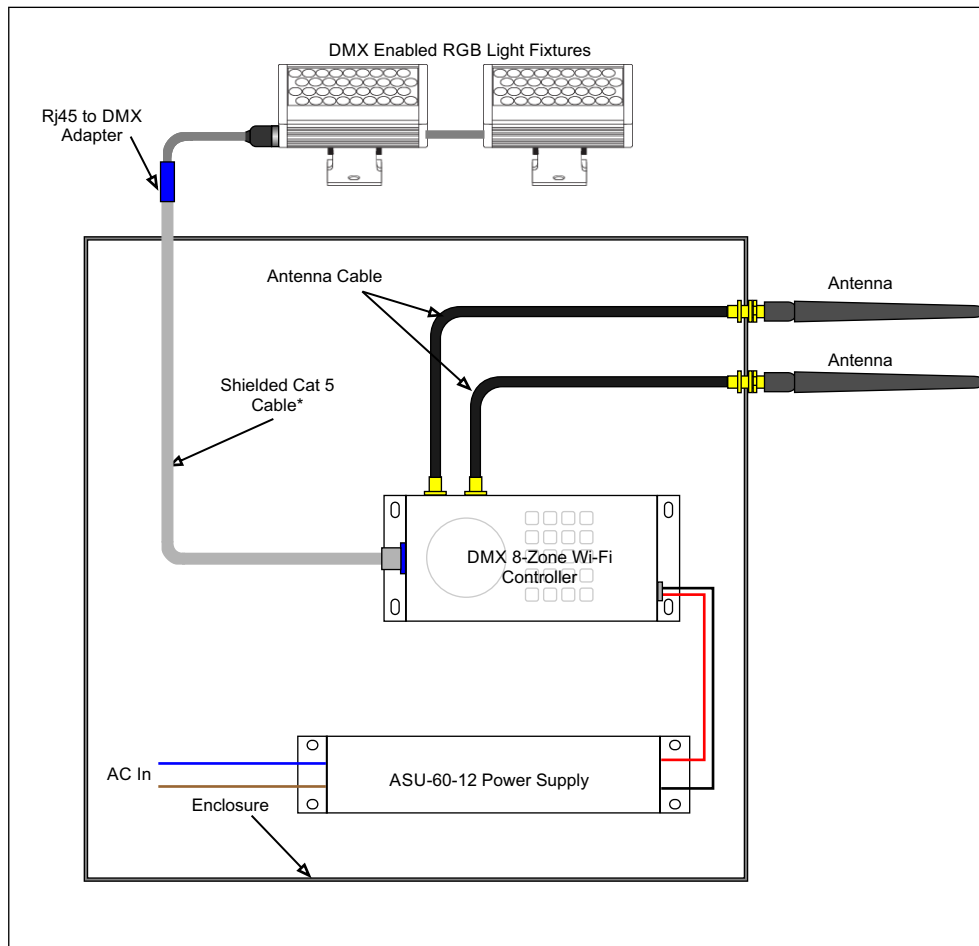


Basic Wi-Fi Controller Setup Using DMX Enabled Light Fixtures

Option 1 uses a shielded Cat5 cable to a Rj45 to DMX adapter to connect the controller to the fixtures.

Option 2 uses a DMX cable to connect the controller to the fixtures.

Option 1



Option 2

